

# Drain Protector

Product Code:



## Product Description:

- Prevent rats entering properties through the drain network.
- The Rat Drain Blocker allows waste to flow but the one way flaps prevent access to rats and other vermin.
- Easy to install, the installation pole attaches to the top fixing and as it tightens the sides contract to allow easy insertion into the drain.
- When in place and the installation pole is unscrewed, the sides expand to fill the drain for a tight and efficient fit.
- The second flap provides peace of mind.
- Manufactured from stainless steel for both durability and reliability.
- Available for Inlet and Outlet drains (right flow/ left flow).
- Also available as a shorter unit with one flap for inlet installations.
- Suitable for 110mm (4") drains.
- Installation pole available separately

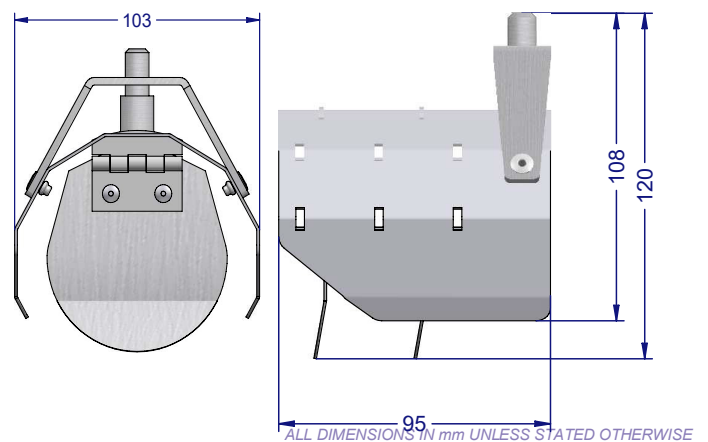


Available finishes:



Stainless Steel

<b>Material:</b>	Stainless Steel
<b>Dimensions:</b>	W.103mm x H.108mm x D.95mm
<b>Packing/Carton:</b>	1 piece
<b>Finish:</b>	Brushed



**Deadline Products**  
Liverpool L33 7SR

Tel: +44 (0) 151 548 5050  
Web: [www.deadlineproducts.com](http://www.deadlineproducts.com)